

REMU

Screening Technology & Amphibious Excavators



ENGLISH

SCREENER - CRUSHER MODULE

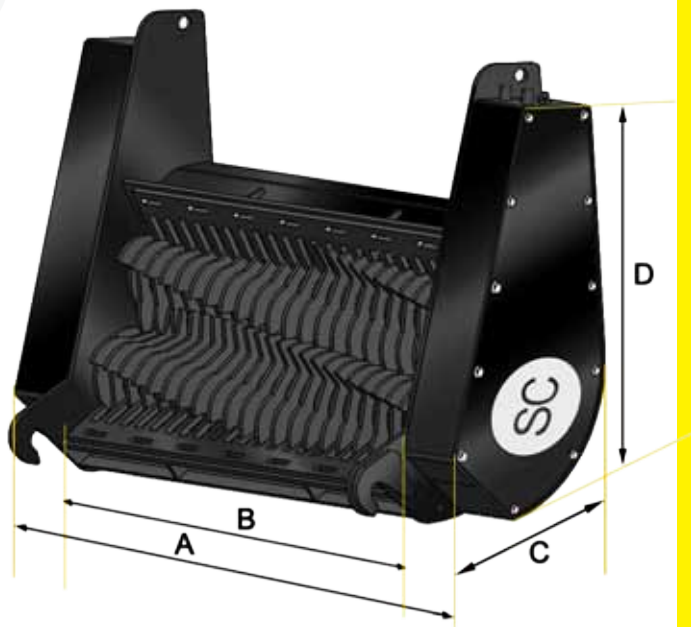
SCREENER CRUSHER MODULE

It takes only ten minutes to connect your Crossover frame with the Screener - Crusher module. The Screener - Crusher module is excellent choice when you need to grind lumpy material for example chemicals or just topsoil that contains grass lumps. The Screener crusher module has crushing blades that effectively push materials through the element and makes it finer. It can crush wooden sticks and roof tiles, but it is not for crushing concrete or stones.

APPLICATIONS


Screener - Crusher module is widely used for:

- X GRINDING ORGANIC MATERIAL LIKE GRASS LUMPS AND ROOTS FOR COMPOST
- X MIXING AND AERATING COMPOST TO ACCELERATE PROCESS
- X GRINDING VARIOUS PACKED MATERIALS TO BE LOOSE AGAIN
- X CRUSHING ROOF TILES



SPECIFICATIONS

- X COMPACT DIRECT DRIVE SYSTEM BASED ON HIGH TORQUE RADIAL PISTON MOTOR 400CC, THAT CAN TAKE UP TO 400 BAR PRESSURE.
- X SMALLER DRAIN OIL FLOW FOR BETTER EFFICIENCY
- X 20B POWER TRANSMISSION CHAIN

Blade Type	Blade thickness	Available blade Spacing				
2304 	10	20	30	40	50	
	16	24	34	44	64	

* Other rotor types available, please contact our sales person or your nearest REMU dealer.

TECHNICAL DATA

The Screener Crusher module comes on two different sizes depending on the XO frame bucket.

Metric units									
Model	RECOMMENDED CARRIER SIZE		RECOMMENDED HYDRAULIC FLOW	MAX HYDRAULIC PRESSURE	DIMENSIONS				WEIGHT ¹
	Excavator	Loader	Min - Max		Width (A)	Rotor width (B)	Depth (C)	Height (D)	
	tons		l/min	bar	cm				Kg
SC2090	≥ 5	≥ 1,5	30-80	400	120	90	40	80	290 ²
SC2150	≥ 8	≥ 3	40-80	400	180	150	40	80	415 ³

¹ Modules weight differ from each others depending on the blades type used. This table indicate weight of modules with a blade model 2304, with 30 mm spacing and 10 mm thickness.

² Including cleaning comb frames and combs 28 kg.

³ Including cleaning comb frames and combs 40 kg.

TOTAL WEIGHT WITH XO FRAME

510 Kg

730 Kg

REMU

Screening Technology & Amphibious Excavators



ENGLISH

BLADE SCREEN MODULE

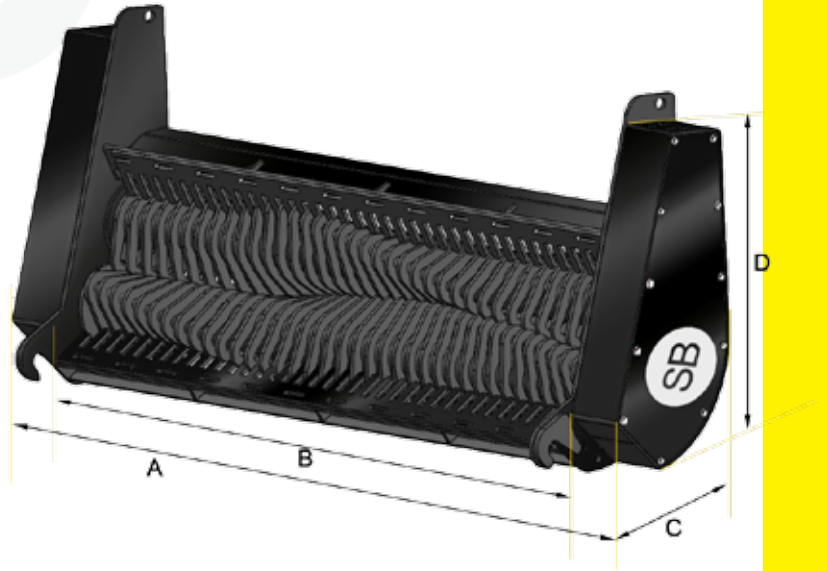
BLADE SCREEN MODULE

Just in ten minutes you can connect your Crossover frame with the Blade Screen module. The Blade Screen module is an excellent choice when you need to screen top soil or use the bucket as a padding tool. Function of the Blade Screen is based on rotating blades which can effectively process even the moist top soil. Blade screen modules are available with several blade spacing's to produce the grain size you need.

AREAS OF APPLICATION



Blade Screen is widely used for:

- X SCREENING TOP SOIL
- X PADDING PIPELINES AND CABLE EXCAVATIONS
- X MIXING SOIL, SAND AND FERTILIZERS TO GET THE BEST MIX FOR EACH USE
- X LANDSCAPING
- X SCREENING PEAT
- X SOIL STABILIZATION



SPECIFICATIONS

- X COMPACT DIRECT DRIVE SYSTEM BASED ON HIGH TORQUE RADIAL PISTON MOTOR 400CC, THAT CAN TAKE UP TO 400 BAR PRESSURE.
- X SMALLER DRAIN OIL FLOW FOR BETTER EFFICIENCY
- X 20B POWER TRANSMISSION CHAIN

Blade Type	Blade thickness	Available blade Spacing				
2001 	10	20	30	40	50	
	16	24	34	44	64	
2004 	10	20	30	40	50	
	16	24	34	44	64	

TECHNICAL DATA

The Blade Screen module comes on two different sizes depending on the XO frame bucket.

Metric units									
Model	RECOMMENDED CARRIER SIZE		RECOMMENDED HYDRAULIC FLOW	MAX HYDRAULIC PRESSURE	DIMENSIONS				WEIGHT ¹
	Excavator	Loader	Min-Max		Width (A)	Rotor width (B)	Depth (C)	Height (D)	
	tons		l/min	bar	cm				Kg
SB2090	≥ 5	≥ 1,5	30-80	400	120	90	40	80	265 ²
SB2150	≥ 8	≥ 3	40-80	400	180	150	40	80	375 ³

² Modules weight differ from each others depending on the blades type used. This table indicate weight of modules with a blade model 2004, with 30 mm spacing and 10 mm thickness.

² Including cleaning comb frames and combs 28 kg.

³ Including cleaning comb frames and combs 40 kg.

TOTAL WEIGHT WITH XO FRAME

480 Kg

690 Kg

REMU has a policy of continuing improvement, and reserves the right to change Materials and specifications without prior notice.

REMU

Screening Technology & Amphibious Excavators



ENGLISH

VIBRATING SCREENING MODULE

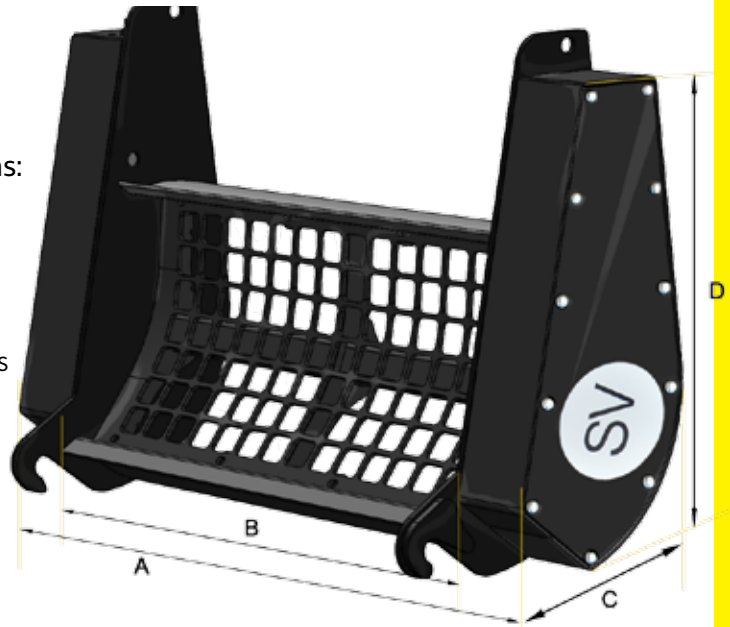
VIBRATING SCREENING MODULE

It takes only ten minutes to connect your Crossover frame with the Vibrating Screening module. Function of the Vibrating screening module is based on a vibrating movement in conjunction with a screening mesh. Buy your vibrating module with multiple screening meshes to get several grain sizes with one screening element. The Vibrating screening technique performs best when processed material is quite dry!

APPLICATIONS

Vibrating Screening module has many applications:

- X SEPARATE THE SAND OUT OF THE PAVING STONES FOR REUSE
- X SCREEN THE SAND OR OTHER LOOSE AND DRY MATERIALS
- X SHAKE THE TRASHES AND DIRT OUT OF RECYCLABLE MATERIAL



SPECIFICATIONS

Depending on the application the required end product size can be selected from the standard mesh sizes available:

- X 25 MM
- X 50 MM
- X 75 MM



TECHNICAL DATA

The Vibrating Screening module comes on two different sizes depending on the XO frame bucket.

Metric units									
Model	RECOMMENDED CARRIER SIZE		RECOMMENDED HYDRAULIC FLOW	MAX HYDRAULIC PRESSURE	DIMENSIONS				WEIGHT ¹
	Excavator	Loader	Min-Max		Width (A)	Mesh's width (B)	Depth (C)	Height (D)	
	tons		l/min	bar	cm				Kg
SV2090	≥ 5	≥ 1,5	20-40	200	120	90	40	80	165
SV2150	≥ 8	≥ 3	20-40	200	180	150	40	80	190

¹ Modules weight differ from each others depending on the screening mesh used.

TOTAL WEIGHT WITH XO FRAME

380 Kg

510 Kg

REMU has a policy of continuing improvement, and reserves the right to change Materials and specifications without prior notice.