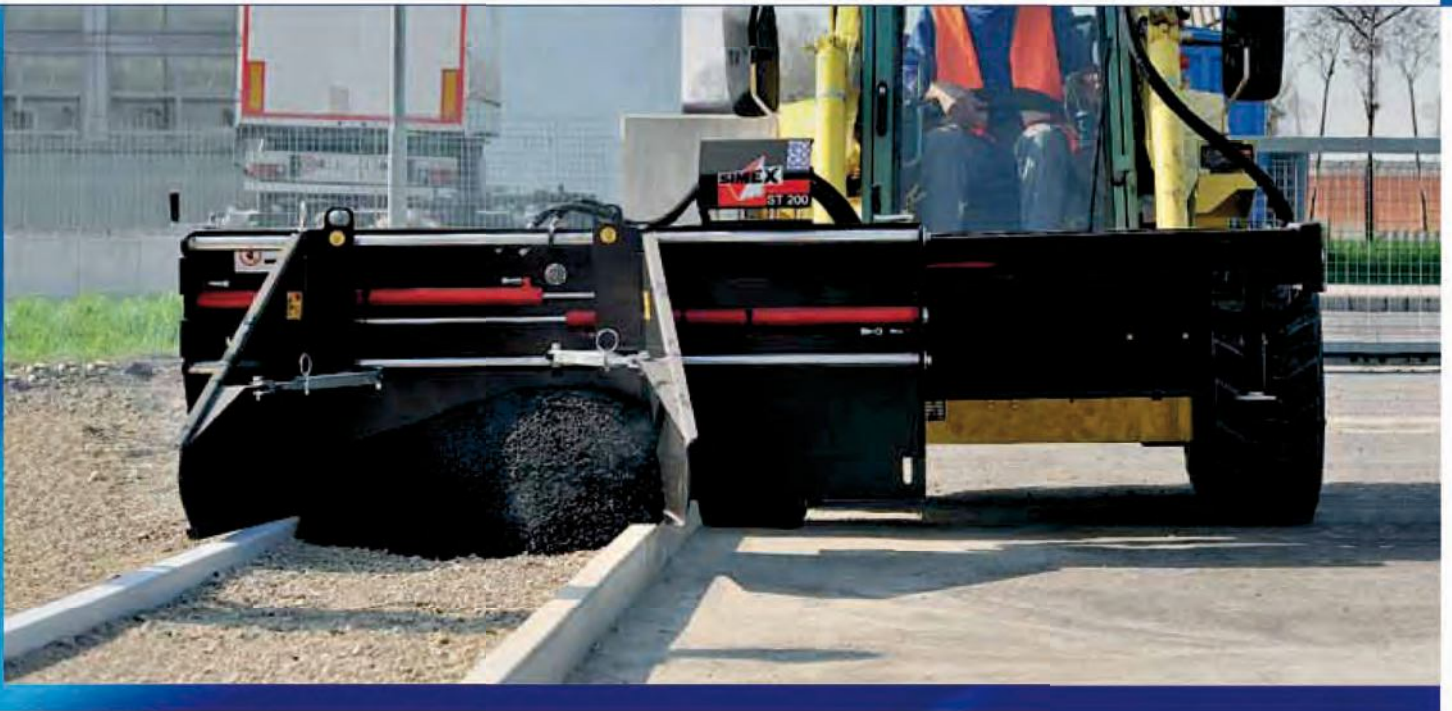


# ASPHALT FLOAT



## Easy to use

Patented system. Extremely intuitive to use in the daily job.

## Huge savings on cost and time

Up to 10 times quicker than manual labor. In a cleaner, more consistent and safer manner.

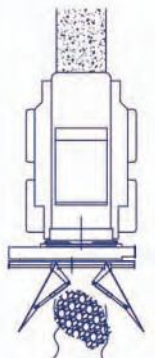
## Easy to clean. Light and durable.

It has been designed by purpose without a material container. Just place material in front of the float and go forward.

### TRENCH BACK FILLING AND ASPHALT FINISHING

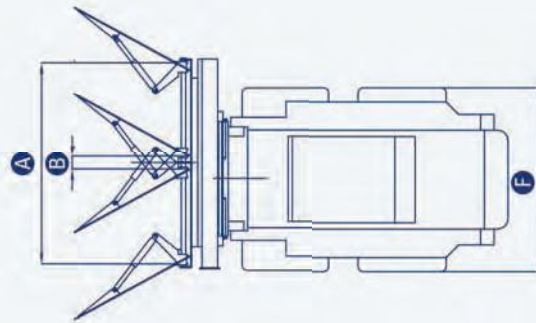
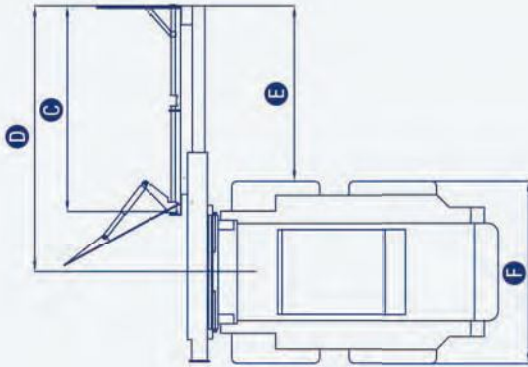
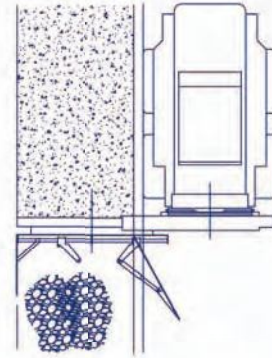
High speed and accuracy.

Adjustable mold board.



## SIDEWALK ASPHALT SURFACING

Hydraulic device to allow operation outside of the prime mover profile. Up to 67 inch offset.



## SPECIFICATIONS

	ST 160	ST 200	
<b>A</b>	59	75	inch.
<b>B</b>	5	5	inch.
<b>C</b>	61	77	inch.
<b>D</b>	71	100	inch.
<b>E</b>	40	66	inch.
<b>F</b>	61	69	inch.
Width adjustment	hydraulic		
Asphalt thickness adjustment (independent on the RH and on the LH sides)	mechanical (screw) or electrical (optional)		
Asphalt thickness	0 - 4		inch.
Side shift	hydraulic		
Transversal inclination	5°		
Average working speed (cross-section trenches)	160 - 400		f/min
<b>Operating weight (1)</b>	1250	1400	lb

(1) User is responsible for ensuring that the equipment meets the prime mover's specifications and weight requirements.